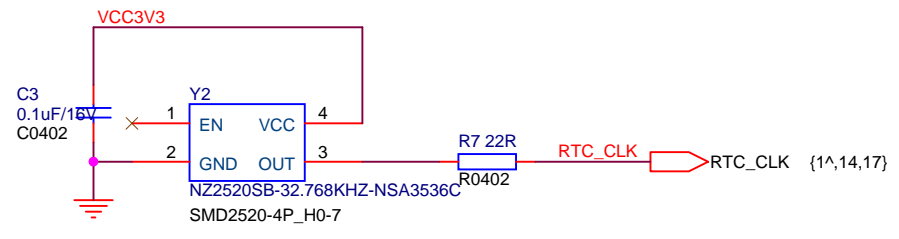
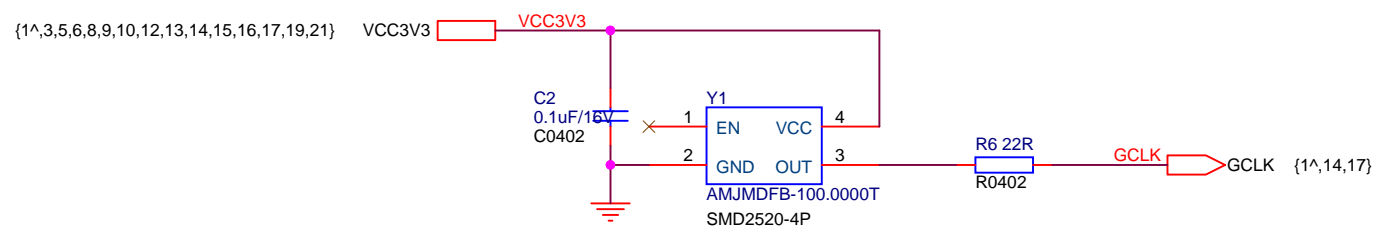
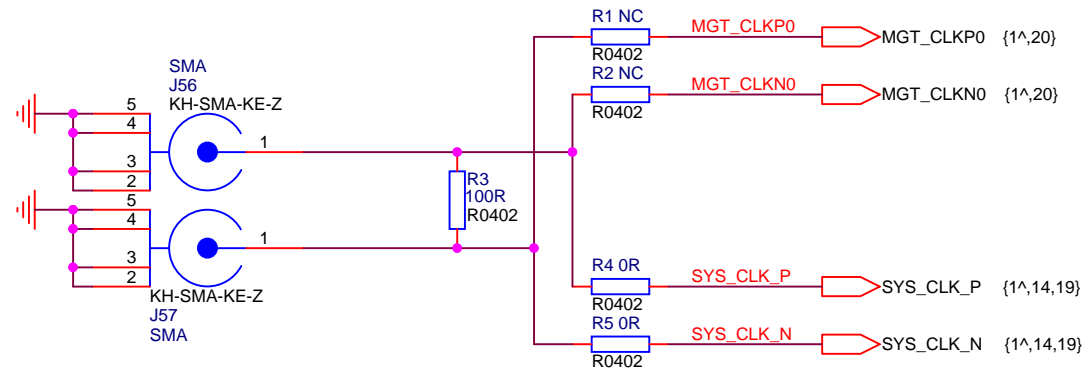
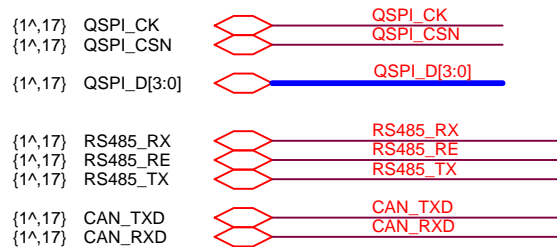
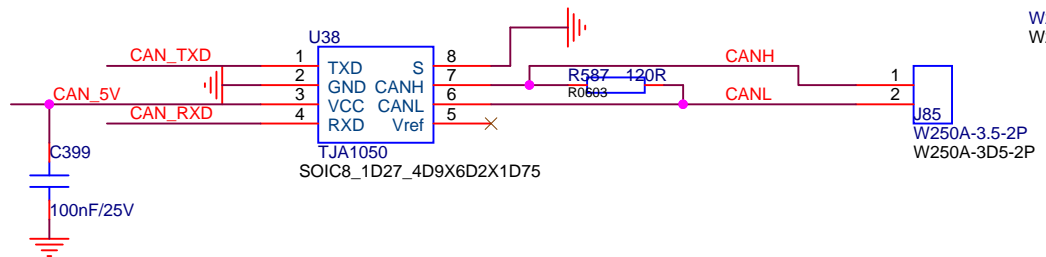
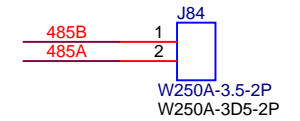
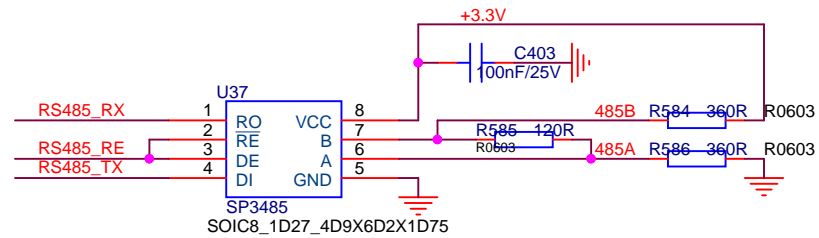
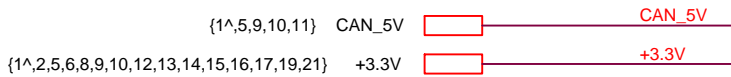
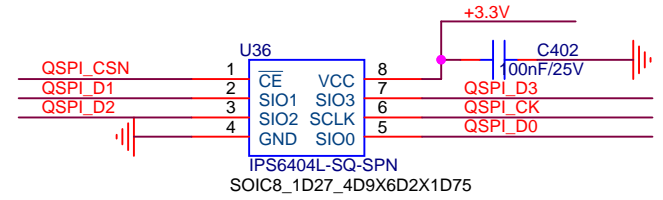
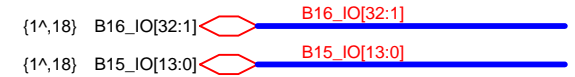
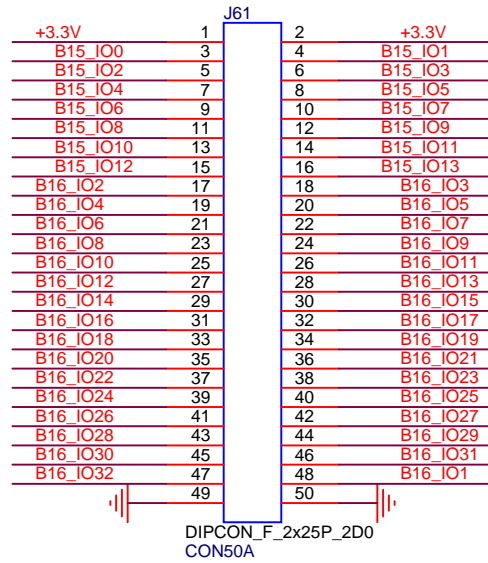


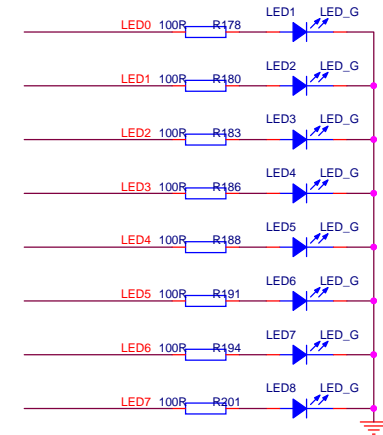
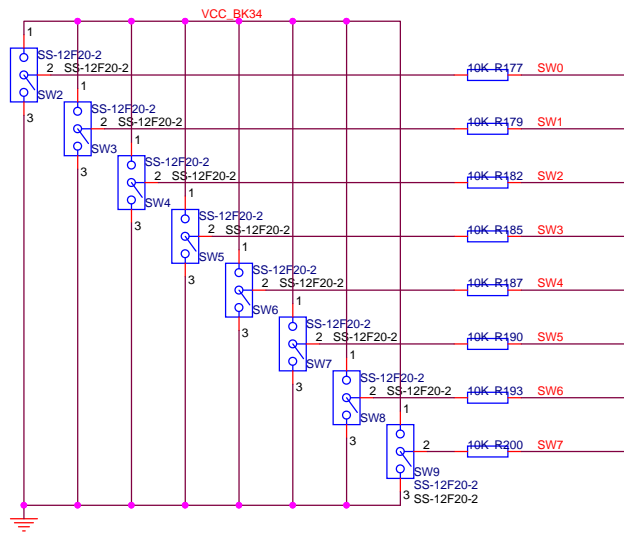
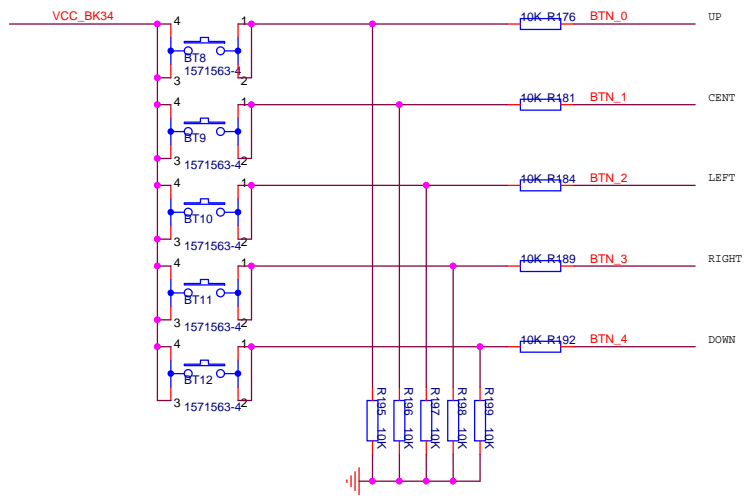
Title		<Title>
Size	A3	Document Number
<Doc>		Rev 2
Date:	Tuesday, August 25, 2020	Sheet 1 of 21



Title		
<Title>		
Size	Document Number	Rev
A4	<Doc>	2
Date:	Tuesday, August 25, 2020	Sheet 2 of 21



Title		
<Title>		
Size	Document Number	Rev
A4	<Doc>	2
Date:	Tuesday, August 25, 2020	Sheet 3 of 21



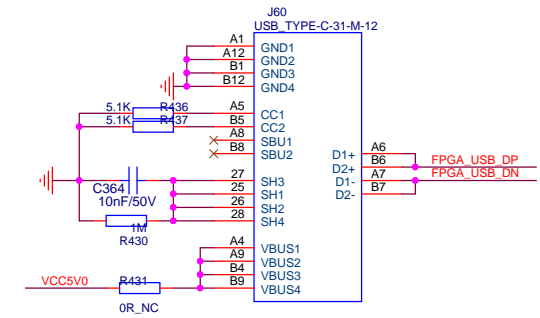
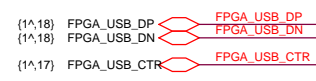
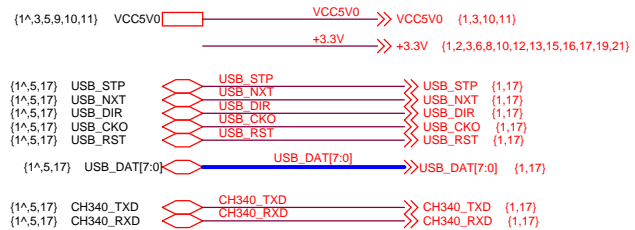
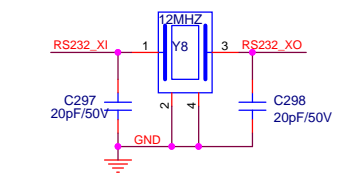
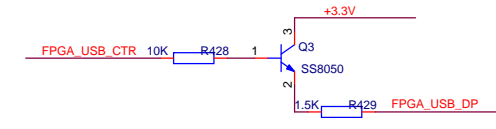
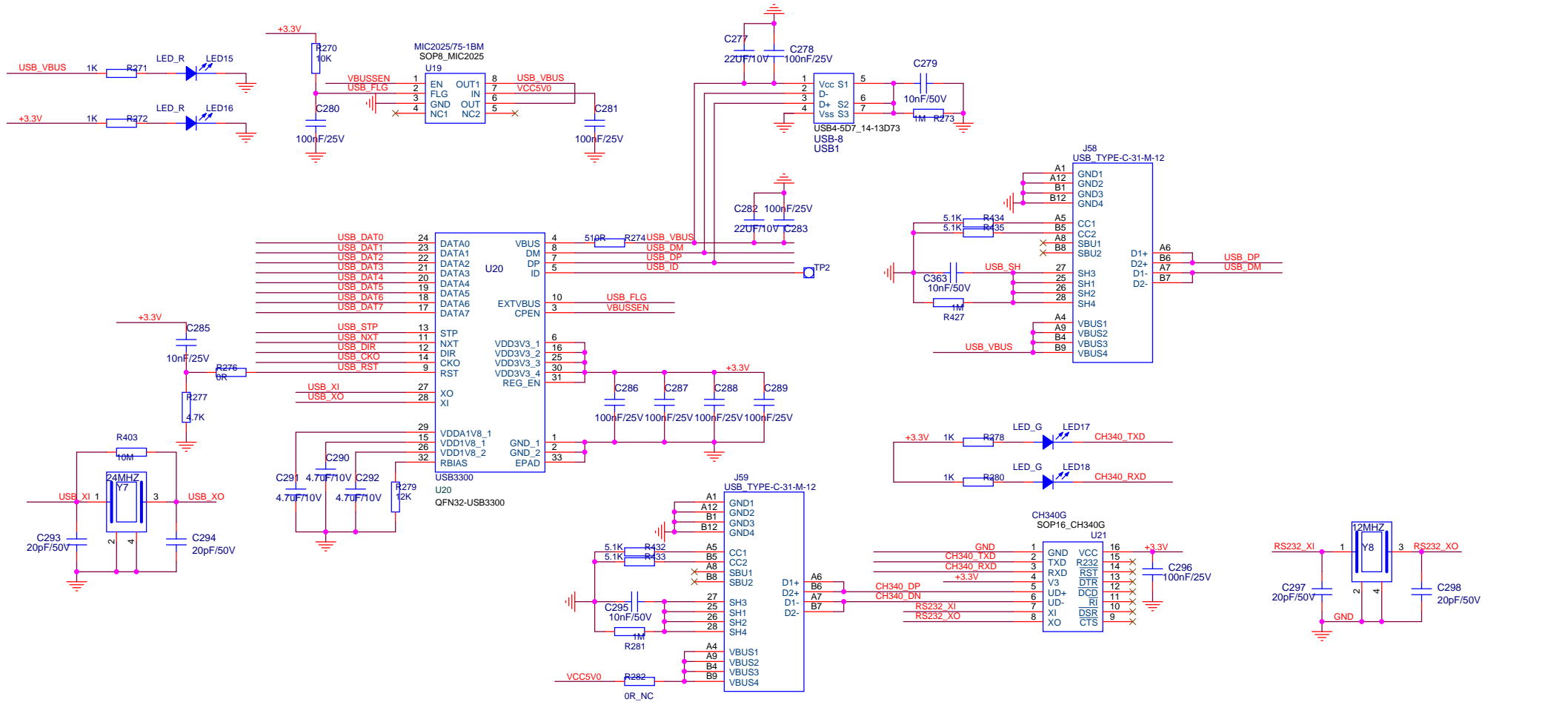
{1^,4,7,19,21} VCC\_BK34  VCC\_BK34 << VCC\_BK34 {1,7,19,21}

{1^,4,19} BTN\_[4:0]  >> BTN\_[4:0] {1,19}

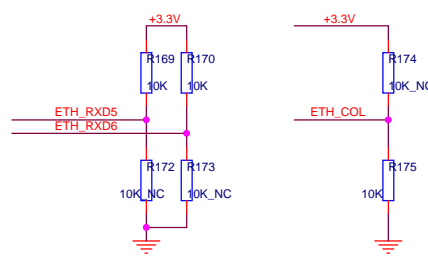
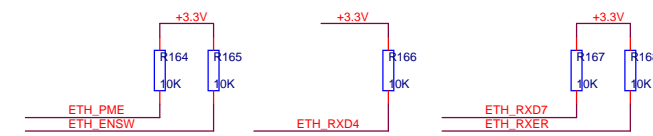
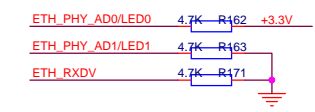
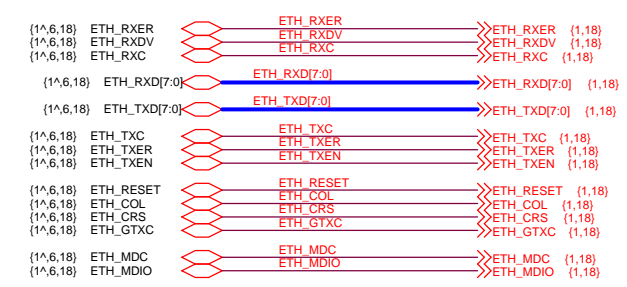
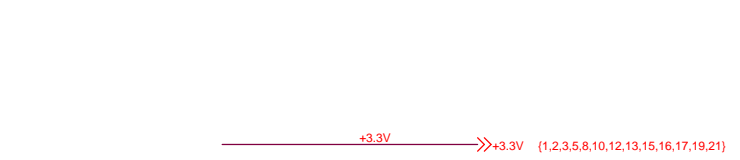
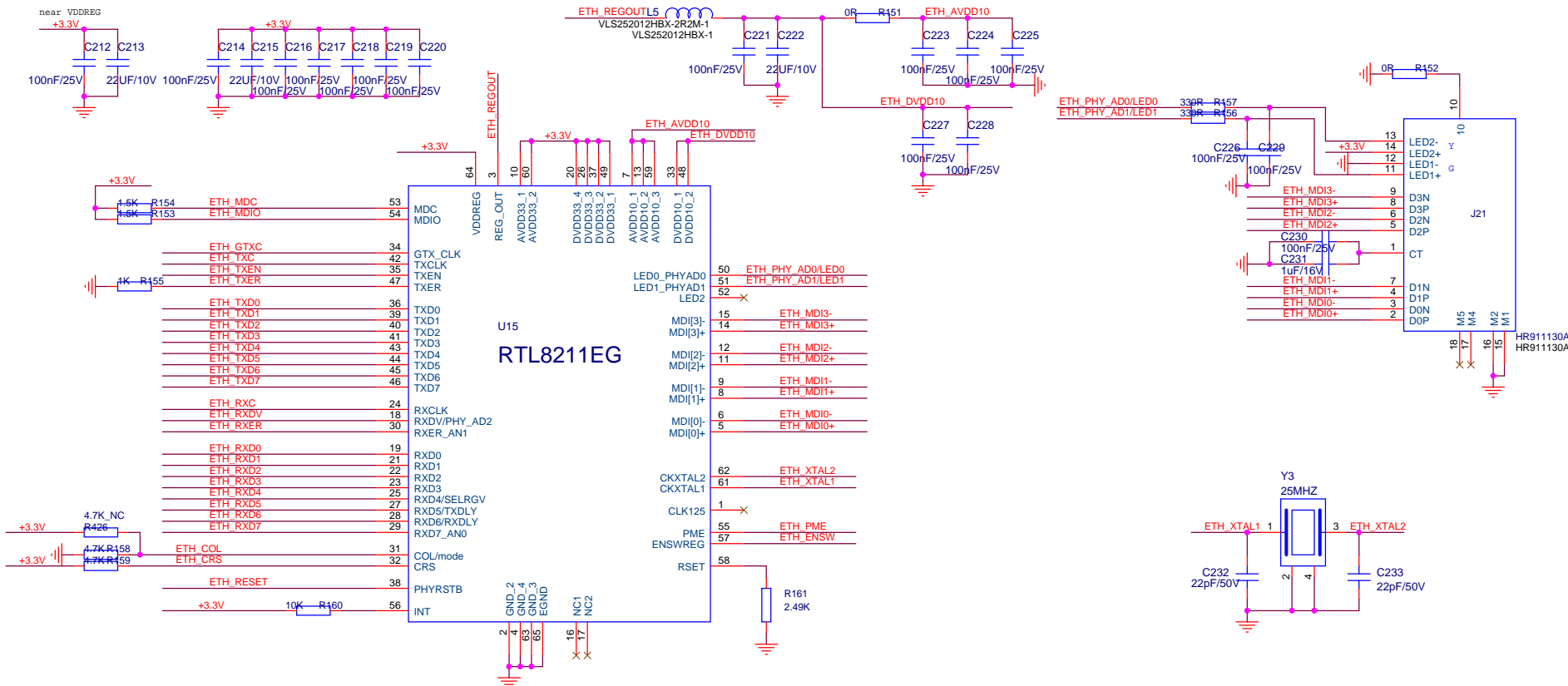
{1^,4,19} SW[7:0]  >> SW[7:0] {1,19}

{1^,4,18} LED[7:0]  >> LED[7:0] {1,18}

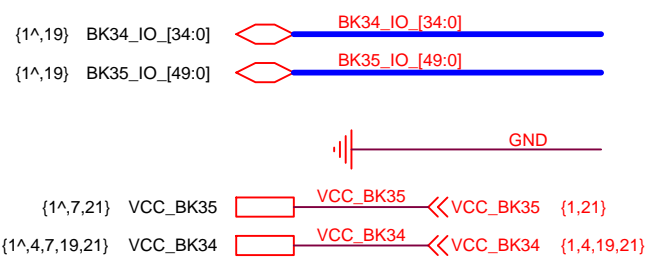
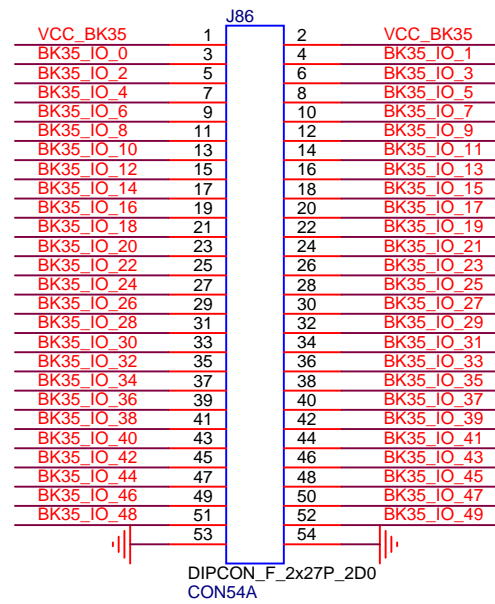
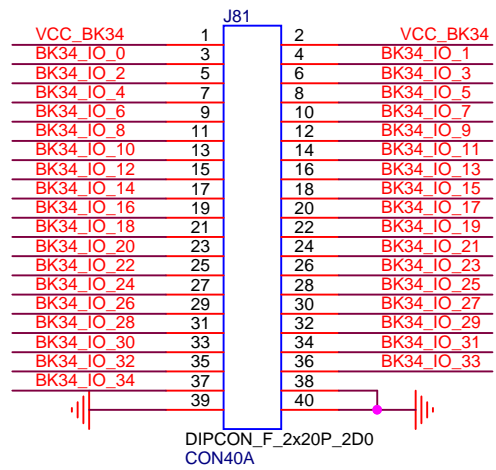
Title		
<Title>		
Size	Document Number	Rev
A3	<Doc>	2
Date:	Tuesday, August 25, 2020	Sheet 4 of 21



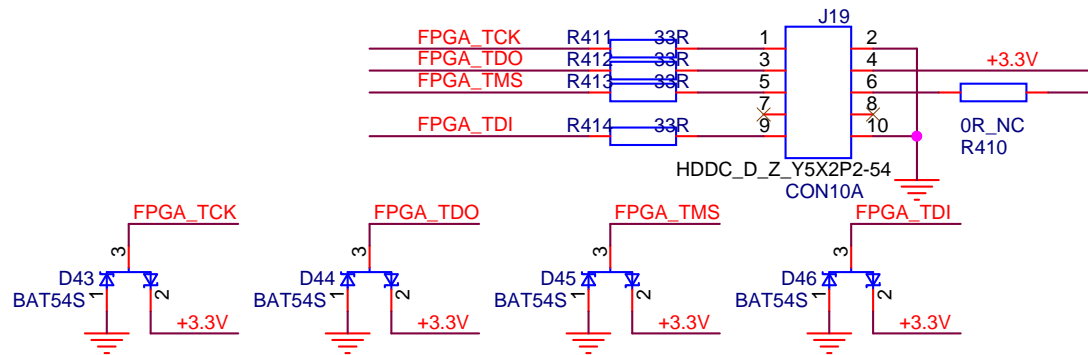
Title			<Title>
Size	A3	Document Number	<Doc>
Date:	Tuesday, August 25, 2020	Sheet	5 of 21




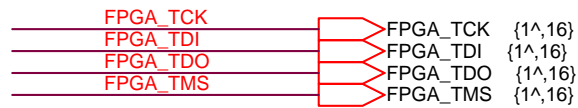
Title		<Title>
Size	Document Number	Rev
A3	<Doc>	<Rev Code>
Date:	Tuesday, August 25, 2020	Sheet 6 of 21



Title		
<Title>		
Size	Document Number	Rev
A4	<Doc>	<RevC>
Date:	Tuesday, August 25, 2020	Sheet 7 of 21

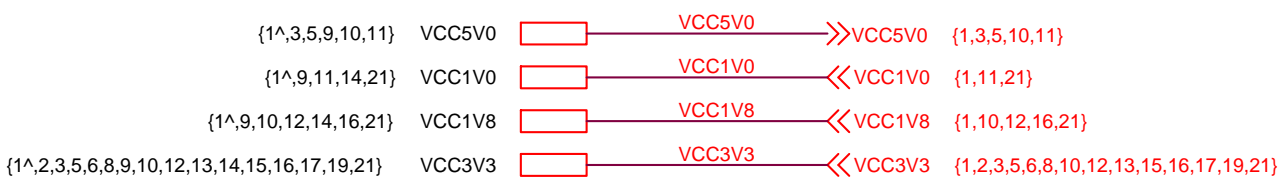


{1^,2,3,5,6,9,10,12,13,14,15,16,17,19,21} +3.3V  +3.3V

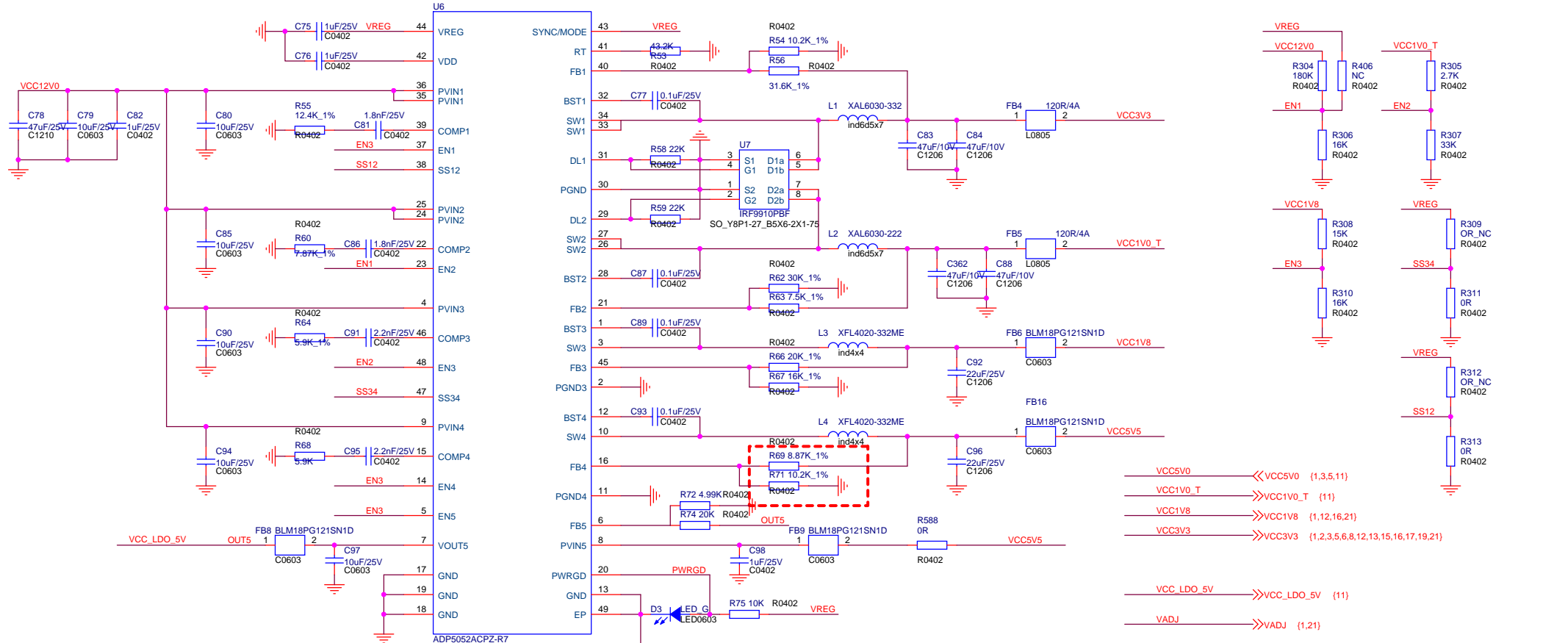


Title		
<Title>		
Size	Document Number	Rev
A	<Doc>	<RevCode>
Date:	Tuesday, August 25, 2020	Sheet 8 of 21



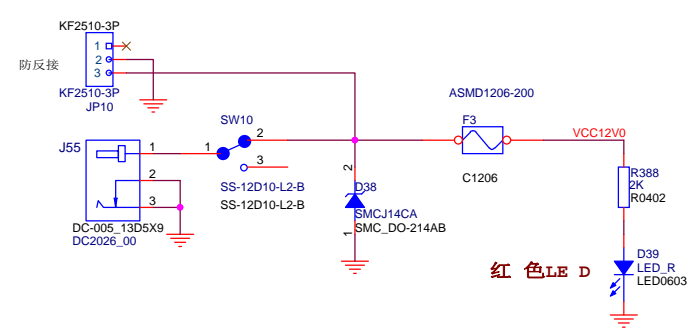
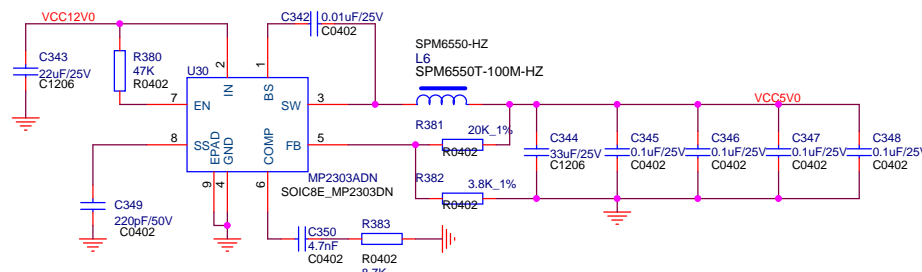
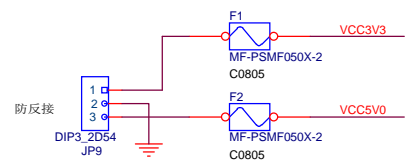


Title		
<Title>		
Size	Document Number	Rev
A	<Doc>	<RevCode>
Date:	Tuesday, August 25, 2020	Sheet 9 of 21

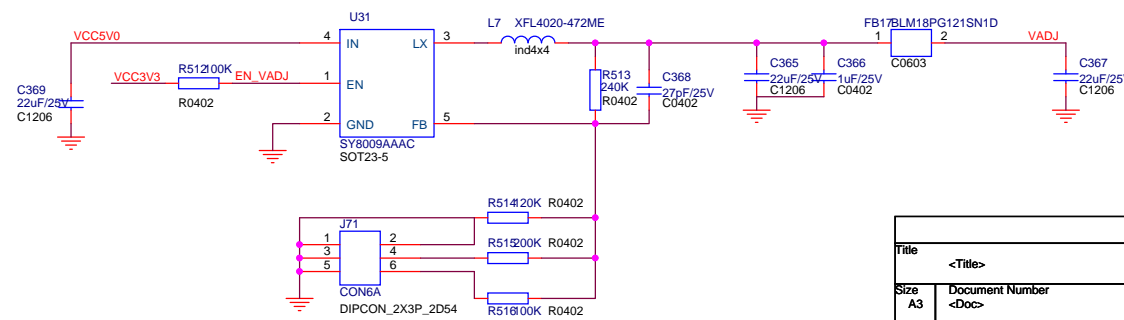


- <<VCC5V0 (1,3,5,11)
- >>VCC1V0\_T (11)
- >>VCC1V8 (1,12,16,21)
- >>VCC3V3 (1,2,3,5,6,8,12,13,15,16,17,19,21)
- >>VCC\_LDO\_5V (11)
- >>VADJ (1,21)

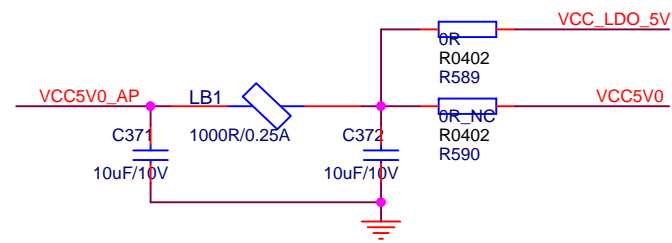
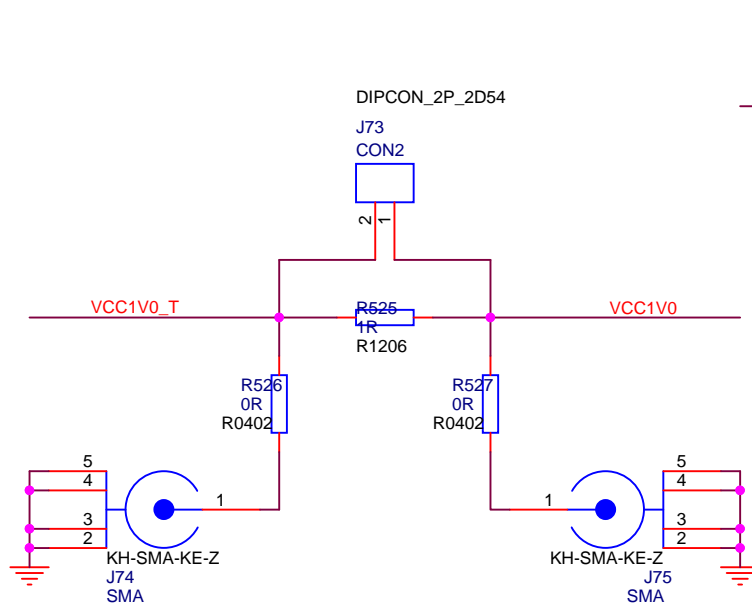
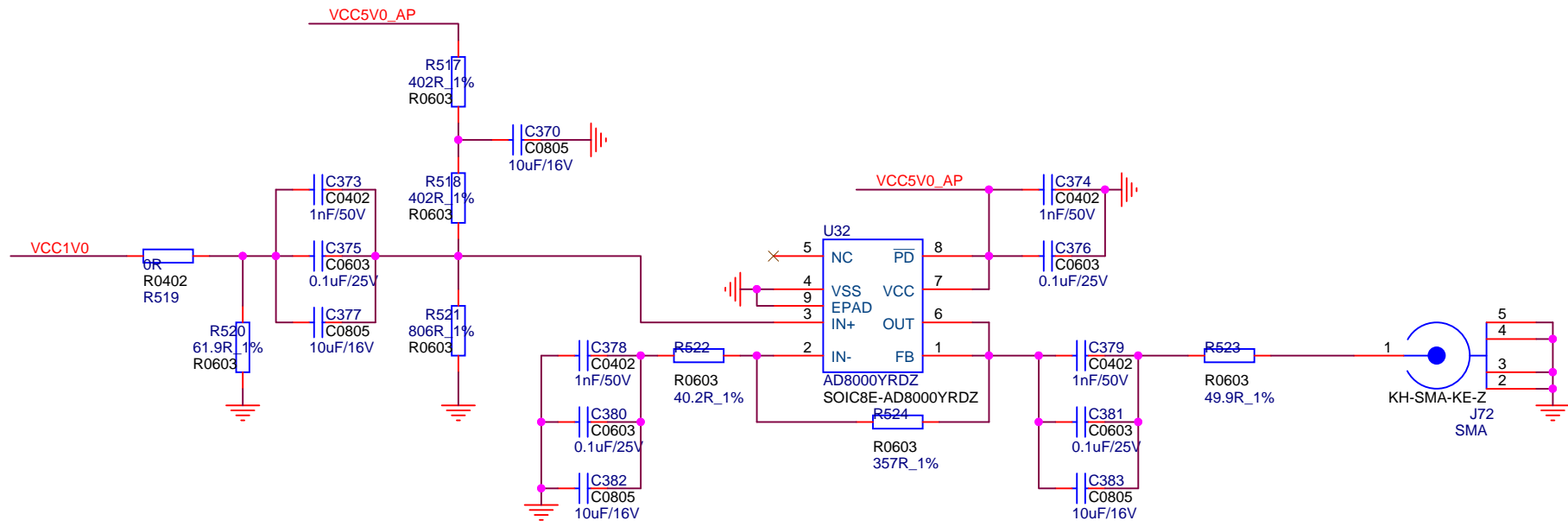
绿色LED



红色LED

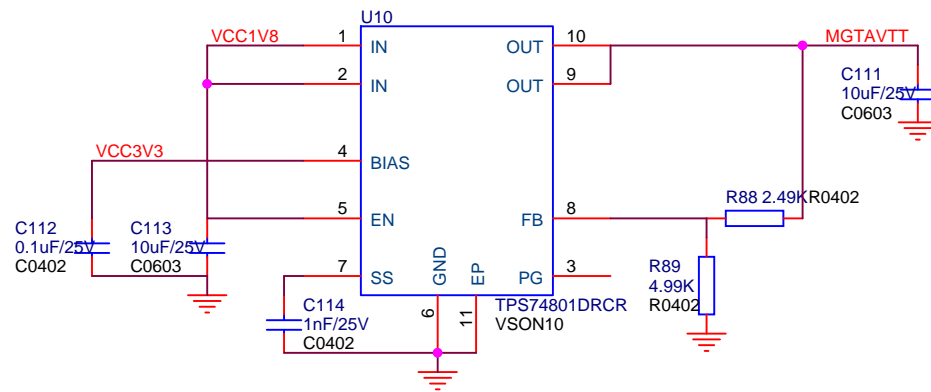


Title		<Title>
Size	A3	Document Number
Date:		Tuesday, August 25, 2020
Sheet	10	of 21
Rev	2	

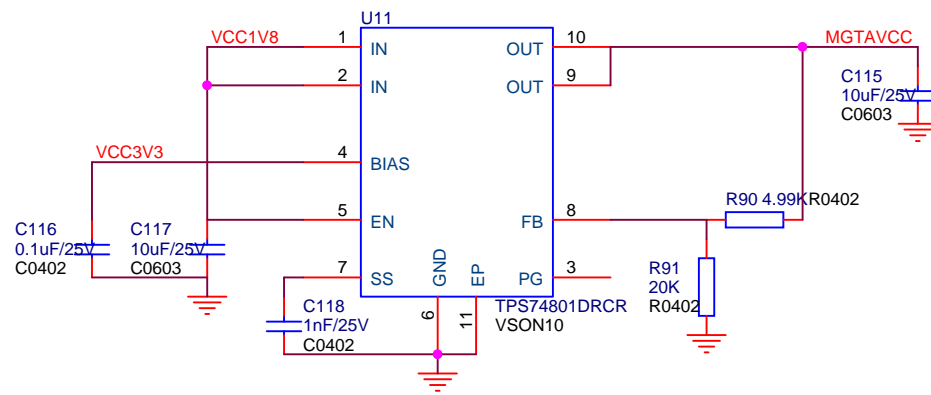


VCC\_LDO\_5V >> VCC\_LDO\_5V {10}  
 VCC1V0\_T << VCC1V0\_T {10}  
 VCC1V0 << VCC1V0 {1,21}  
 VCC5V0 << VCC5V0 {1,3,5,10}

Title		
<Title>		
Size	Document Number	Rev
A4	<Doc>	2
Date:	Tuesday, August 25, 2020	Sheet 11 of 21

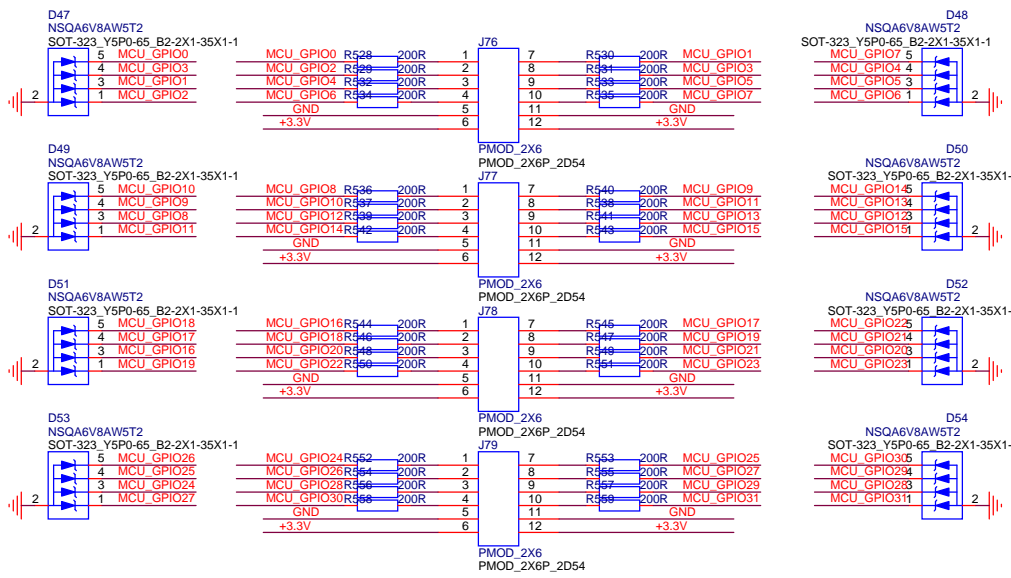


VCC1V8 <<VCC1V8 {1,10,16,21}  
 VCC3V3 <<VCC3V3 {1,2,3,5,6,8,10,13,15,16,17,18,19,20,21}  
 MGTAVTT >>MGTAVTT {1,20}  
 MGTAVCC >>MGTAVCC {1,20}

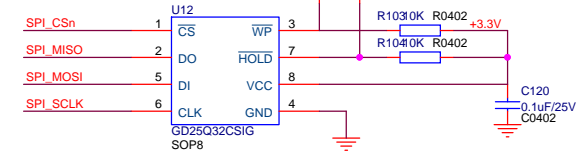
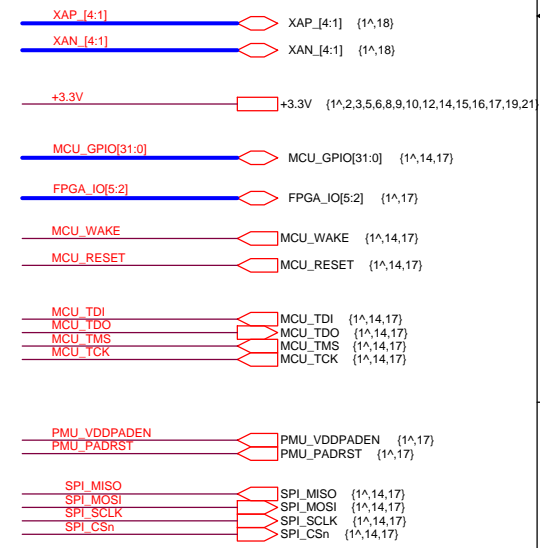
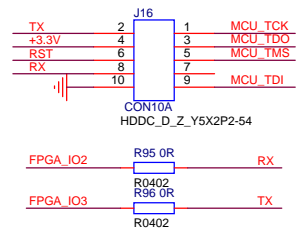
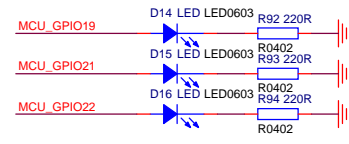
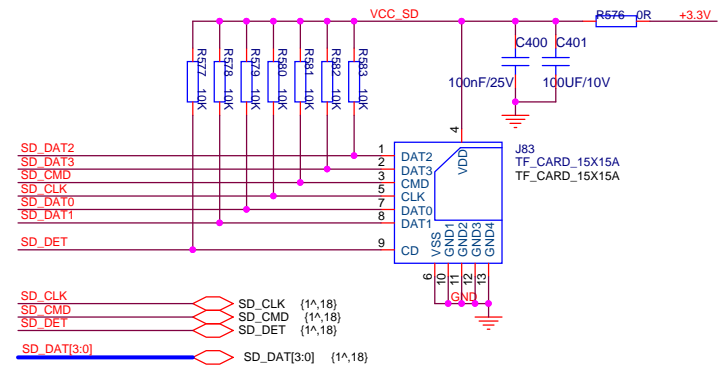
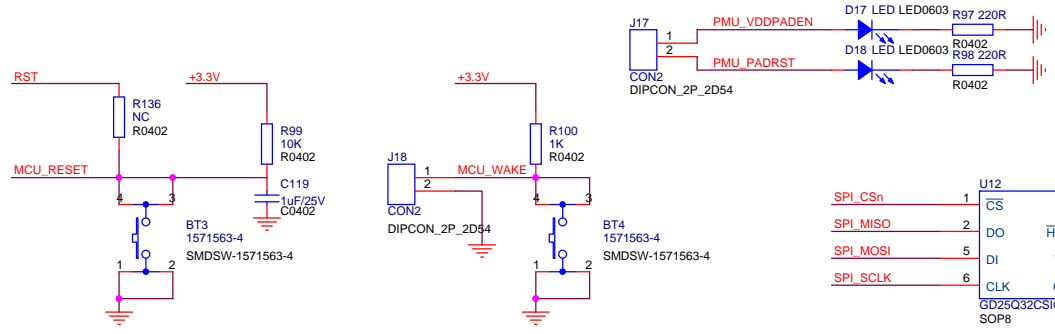
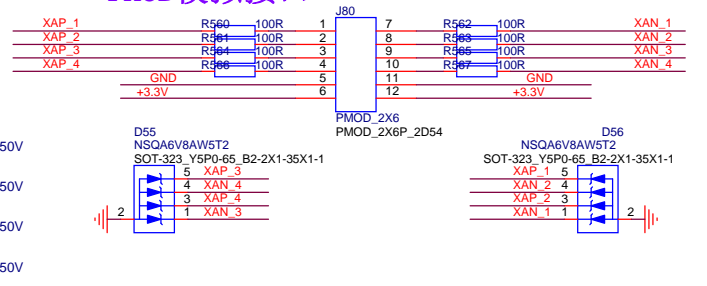


Title		
<Title>		
Size	Document Number	Rev
A4	<Doc>	<RevC>
Date:	Tuesday, August 25, 2020	Sheet 12 of 21

### PMOD数字接口

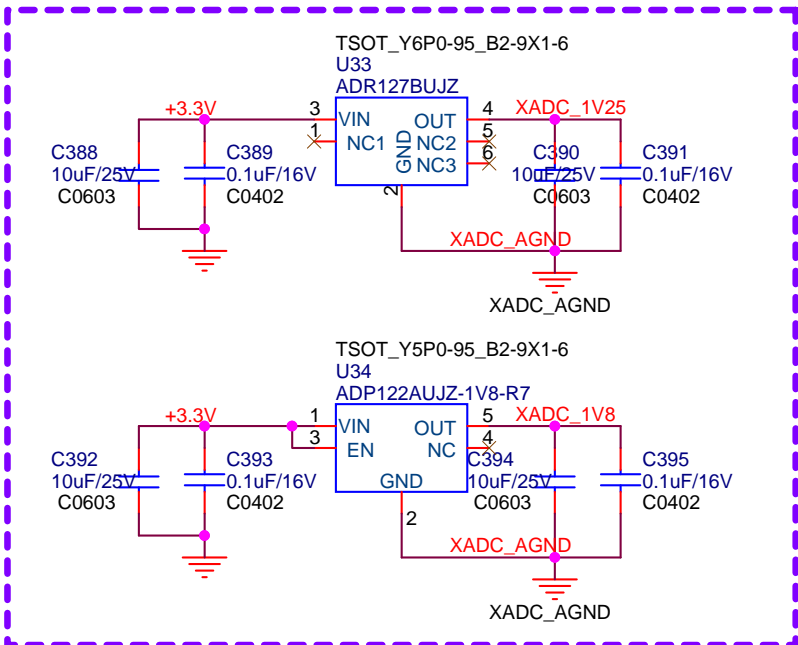
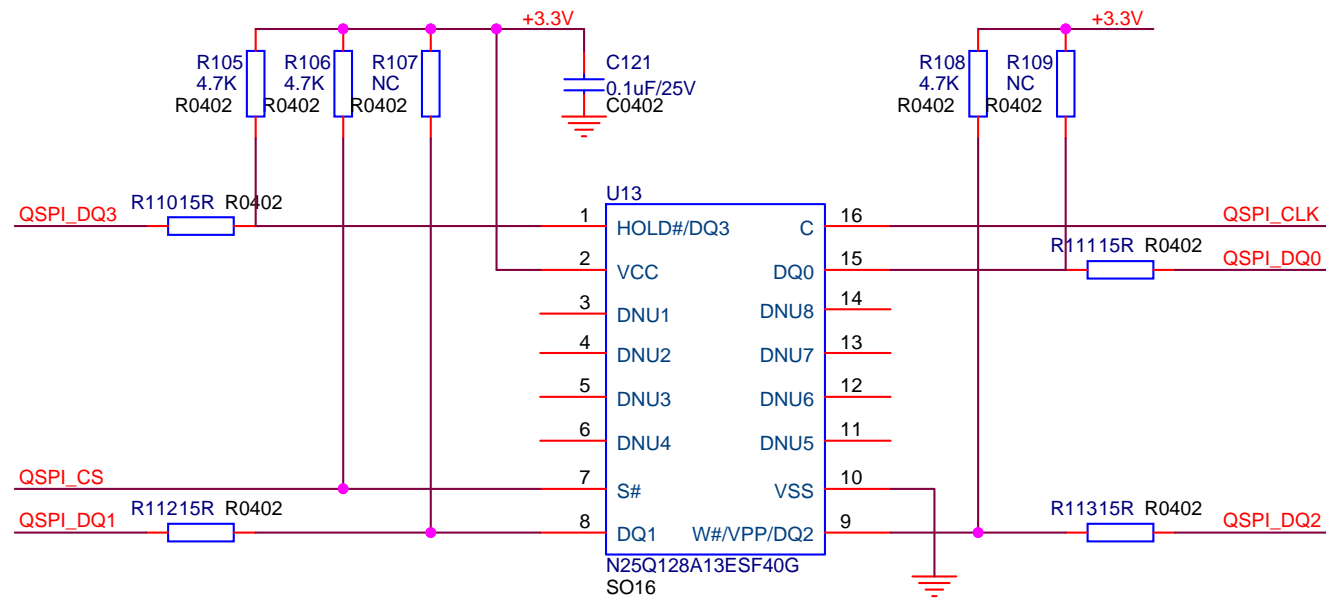


### PMOD模拟接口



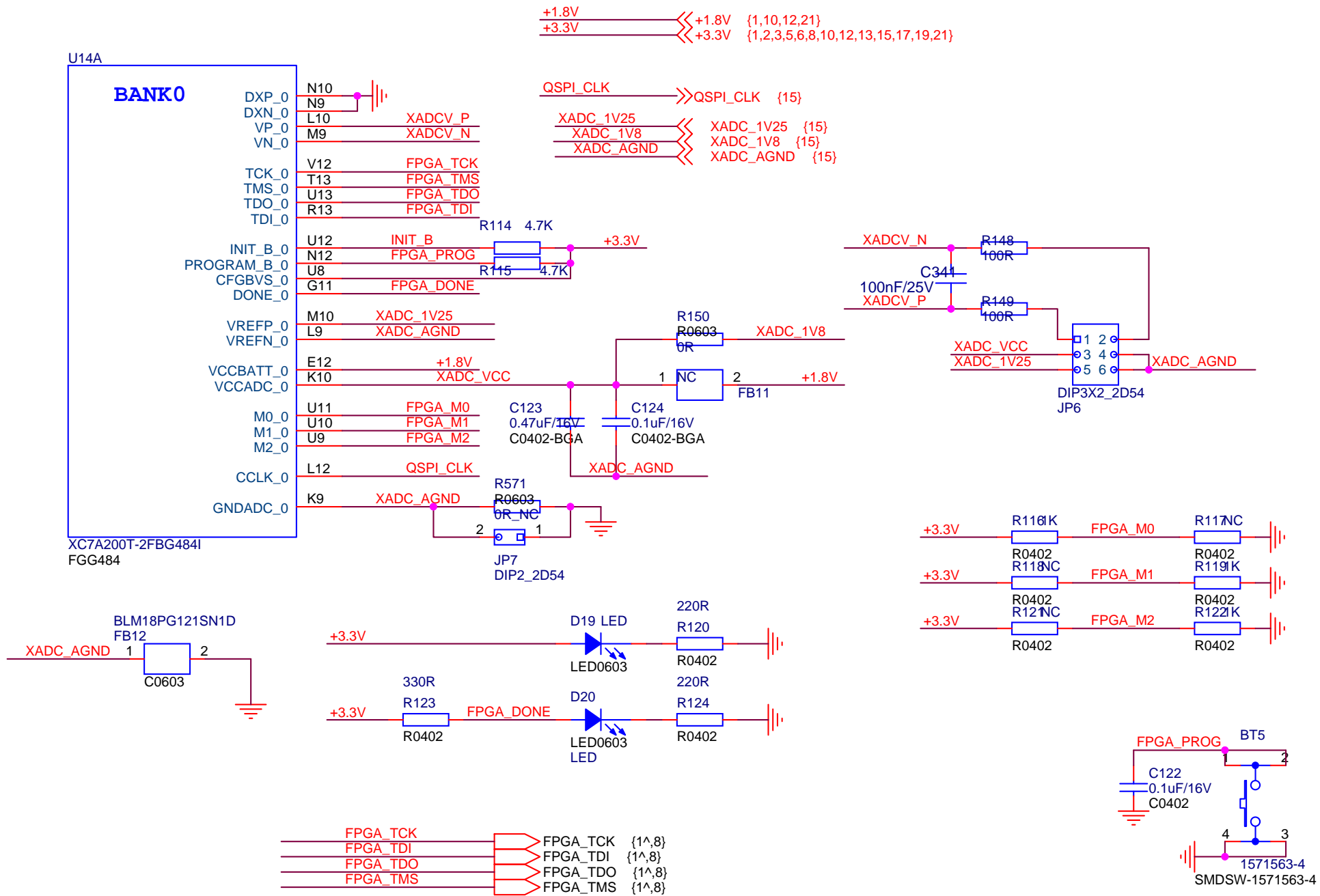
Title	<Title>
Size	A3
Document Number	<Doc>
Date	Tuesday, August 25, 2020
Sheet	13 of 21
Rev	<Rev Code>





- +3.3V << +3.3V {1,2,3,5,6,8,10,12,13,16,17,19,21}
- QSPI\_CLK << QSPI\_CLK {16}
- QSPI\_DQ[3:0] << QSPI\_DQ[3:0] {17}
- QSPI\_CS << QSPI\_CS {17}
- XADC\_1V8 << XADC\_1V8 {16}
- XADC\_1V25 << XADC\_1V25 {16}
- XADC\_AGND << XADC\_AGND {16}

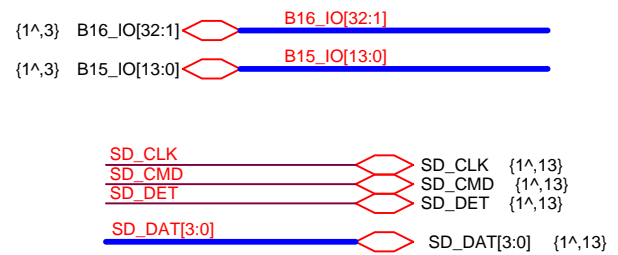
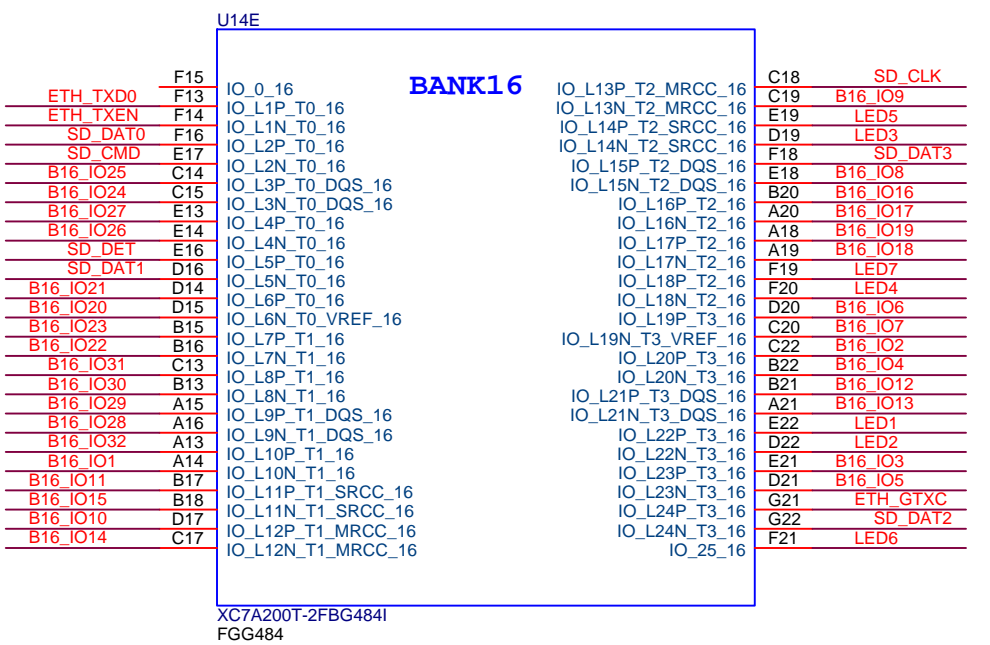
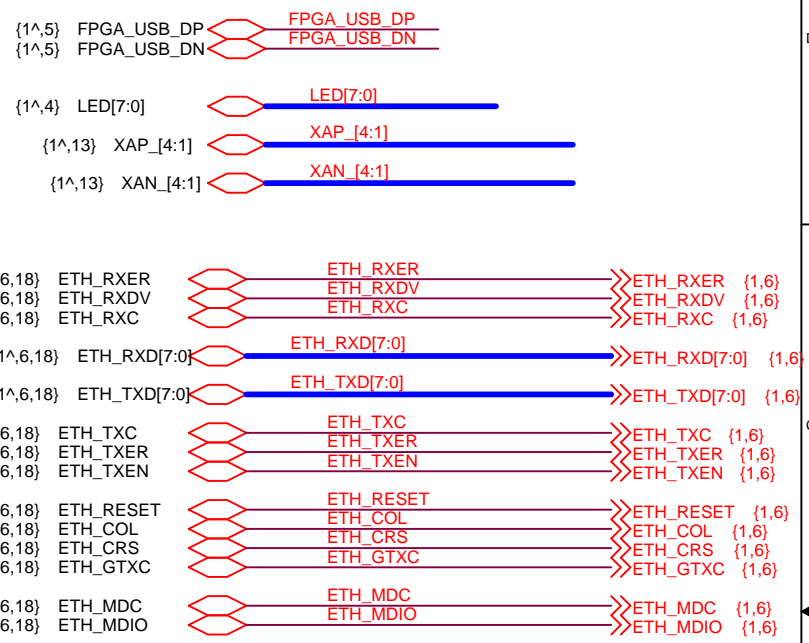
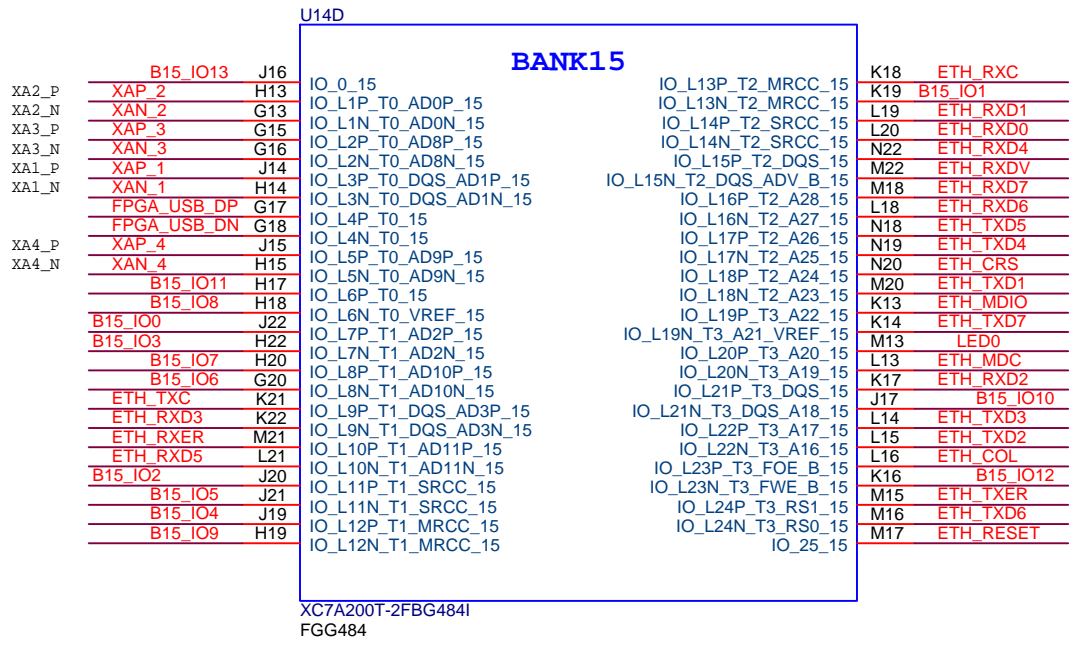
Title		
<Title>		
Size	Document Number	Rev
A	<Doc>	<RevCode>
Date:	Tuesday, August 25, 2020	Sheet 15 of 21



Title		
<Title>		
Size	Document Number	Rev
Custom	<Doc>	2
Date:	Tuesday, August 25, 2020	Sheet 16 of 21



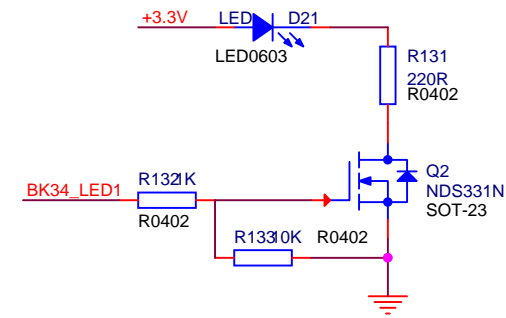
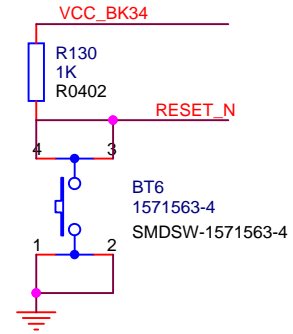
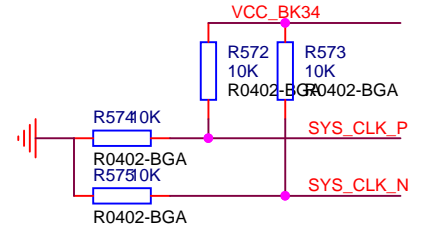
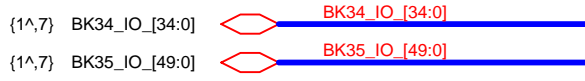




Title		
<Title>		
Size	Document Number	Rev
A4	<Doc>	<RevC>
Date:	Tuesday, August 25, 2020	Sheet 18 of 21

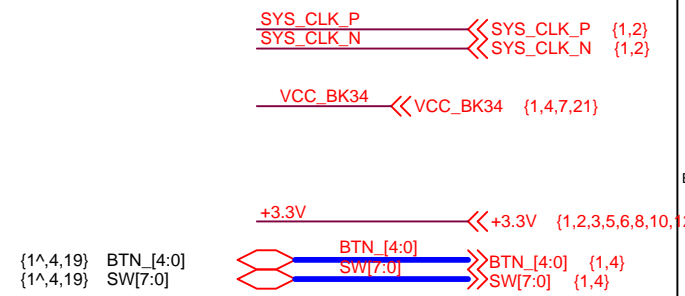
BK34 IO		U14F		BANK34		BK34 IO	
BK34_IO_5	T3	IO_0_34		IO_L13P_T2_MRCC_34	R4	BK34_IO_3	
BK34_IO_4	T1	IO_L1P_T0_34		IO_L13N_T2_MRCC_34	T4	BK34_IO_6	
BK34_LED1	U1	IO_L1N_T0_34		IO_L14P_T2_SRCC_34	T5	BK34_IO_11	
BTN_3	U2	IO_L2P_T0_34		IO_L14N_T2_SRCC_34	U5	BK34_IO_12	
BTN_2	V2	IO_L2N_T0_34		IO_L15P_T2_DQS_34	W6	BK34_IO_27	
BK34_IO_1	R3	IO_L3P_T0_DQS_34		IO_L15N_T2_DQS_34	W5	BK34_IO_26	
BK34_IO_2	R2	IO_L3N_T0_DQS_34		IO_L16P_T2_34	U6	BK34_IO_15	
BK34_IO_7	W2	IO_L4P_T0_34		IO_L16N_T2_34	V5	BK34_IO_14	
BK34_IO_8	Y2	IO_L4N_T0_34		IO_L17P_T2_34	R6	BK34_IO_0	
BTN_0	W1	IO_L5P_T0_34		IO_L17N_T2_34	T6	BK34_IO_16	
BTN_1	Y1	IO_L5N_T0_34		IO_L18P_T2_34	Y6	BK34_IO_28	
BK34_IO_10	U3	IO_L6P_T0_34		IO_L18N_T2_34	AA6	SW4	
BK34_IO_21	V3	IO_L6N_T0_VREF_34		IO_L19P_T3_34	V7	BK34_IO_19	
BTN_4	AA1	IO_L7P_T1_34		IO_L19N_T3_VREF_34	W7	BK34_IO_30	
BK34_IO_9	AB1	IO_L7N_T1_34		IO_L20P_T3_34	AB7	SW6	
SW0	AB3	IO_L8P_T1_34		IO_L20N_T3_34	AB6	SW5	
BK34_IO_18	AB2	IO_L8N_T1_34		IO_L21P_T3_DQS_34	V9	BK34_IO_34	
BK34_IO_24	Y3	IO_L9P_T1_DQS_34		IO_L21N_T3_DQS_34	V8	BK34_IO_22	
BK34_IO_17	AA3	IO_L9N_T1_DQS_34		IO_L22P_T3_34	AA8	SW7	
SW2	AA5	IO_L10P_T1_34		IO_L22N_T3_34	AB8	RESET_N	
SW3	AB5	IO_L10N_T1_34		IO_L23P_T3_34	Y8	BK34_IO_31	
BK34_IO_25	Y4	IO_L11P_T1_SRCC_34		IO_L23N_T3_34	Y7	BK34_IO_29	
SW1	AA4	IO_L11N_T1_SRCC_34		IO_L24P_T3_34	W9	BK34_IO_32	
BK34_IO_13	V4	IO_L12P_T1_MRCC_34		IO_L24N_T3_34	Y9	BK34_IO_33	
BK34_IO_23	W4	IO_L12N_T1_MRCC_34		IO_25_34	U7	BK34_IO_20	

XC7A200T-2FBG484I  
FGG484



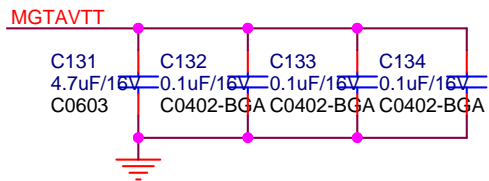
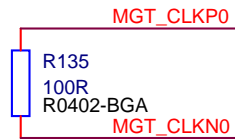
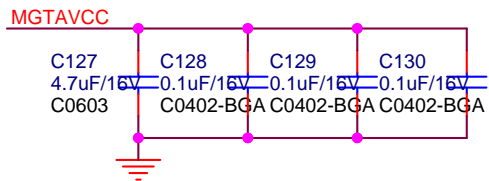
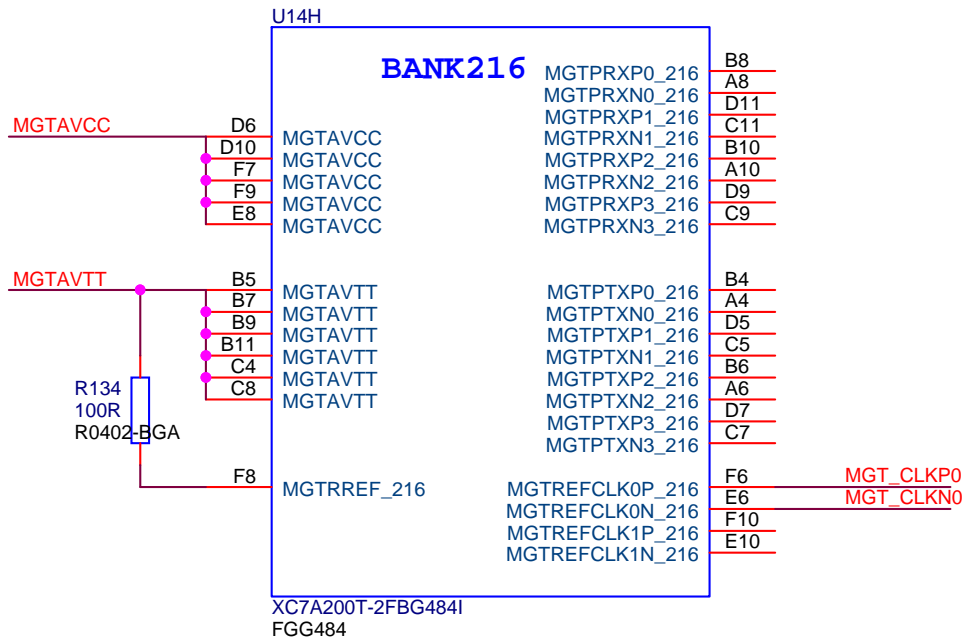
BK35 IO		U14G		BANK35		BK35 IO	
BK35_IO_5	F4	IO_0_35		IO_L13P_T2_MRCC_35	K4	BK35_IO_25	
BK35_IO_4	B1	IO_L1P_T0_AD4P_35		IO_L13N_T2_MRCC_35	J4	BK35_IO_17	
BK35_IO_0	A1	IO_L1N_T0_AD4N_35		IO_L14P_T2_SRCC_35	L3	BK35_IO_27	
BK35_IO_6	C2	IO_L2P_T0_AD12P_35		IO_L14N_T2_SRCC_35	K3	BK35_IO_23	
BK35_IO_2	B2	IO_L2N_T0_AD12N_35		IO_L15P_T2_DQS_35	M1	BK35_IO_38	
BK35_IO_14	E1	IO_L3P_T0_DQS_AD5P_35		IO_L15N_T2_DQS_35	L1	BK35_IO_34	
BK35_IO_10	D1	IO_L3N_T0_DQS_AD5N_35		IO_L16P_T2_35	M3	BK35_IO_40	
BK35_IO_12	E2	IO_L4P_T0_35		IO_L16N_T2_35	M2	BK35_IO_36	
BK35_IO_8	D2	IO_L4N_T0_35		IO_L17P_T2_35	K6	BK35_IO_21	
BK35_IO_22	G1	IO_L5P_T0_AD13P_35		IO_L17N_T2_35	J6	BK35_IO_19	
BK35_IO_18	F1	IO_L5N_T0_AD13N_35		IO_L18P_T2_35	L5	BK35_IO_31	
BK35_IO_16	F3	IO_L6P_T0_35		IO_L18N_T2_35	L4	BK35_IO_29	
BK35_IO_3	E3	IO_L6N_T0_VREF_35		IO_L19P_T3_35	N4	BK35_IO_39	
BK35_IO_32	K1	IO_L7P_T1_AD6P_35		IO_L19N_T3_VREF_35	N3	BK35_IO_41	
BK35_IO_28	J1	IO_L7N_T1_AD6N_35		IO_L20P_T3_35	R1	BK35_IO_49	
BK35_IO_24	H2	IO_L8P_T1_AD14P_35		IO_L20N_T3_35	P1	BK35_IO_44	
BK35_IO_20	G2	IO_L8N_T1_AD14N_35		IO_L21P_T3_DQS_35	P5	BK35_IO_48	
BK35_IO_30	K2	IO_L9P_T1_DQS_AD7P_35		IO_L21N_T3_DQS_35	P4	BK35_IO_47	
BK35_IO_26	J2	IO_L9N_T1_DQS_AD7N_35		IO_L22P_T3_35	P2	BK35_IO_46	
BK35_IO_15	J5	IO_L10P_T1_AD15P_35		IO_L22N_T3_35	N2	BK35_IO_42	
BK35_IO_7	H5	IO_L10N_T1_AD15N_35		IO_L23P_T3_35	M6	BK35_IO_37	
BK35_IO_13	H3	IO_L11P_T1_SRCC_35		IO_L23N_T3_35	M5	BK35_IO_35	
BK35_IO_9	G3	IO_L11N_T1_SRCC_35		IO_L24P_T3_35	P6	BK35_IO_45	
BK35_IO_11	H4	IO_L12P_T1_MRCC_35		IO_L24N_T3_35	N5	BK35_IO_43	
BK35_IO_1	G4	IO_L12N_T1_MRCC_35		IO_25_35	L6	BK35_IO_33	

XC7A200T-2FBG484I  
FGG484

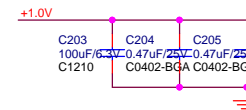
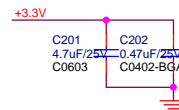
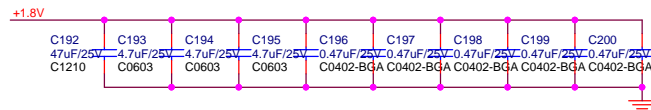
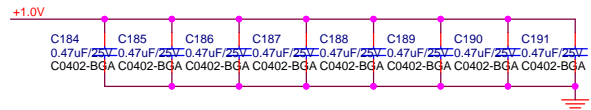
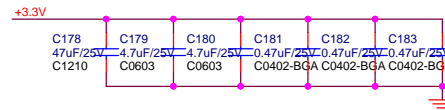
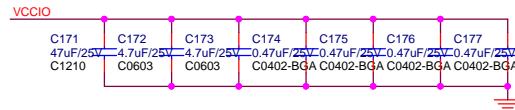
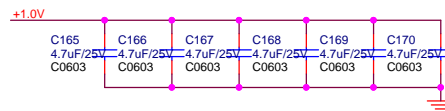
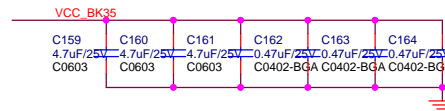
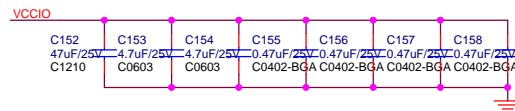
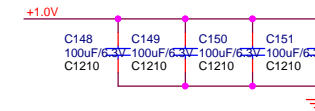
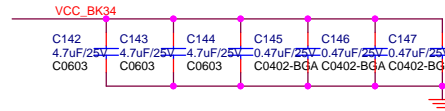
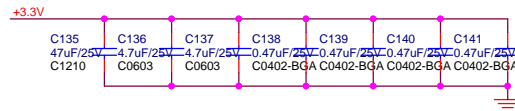
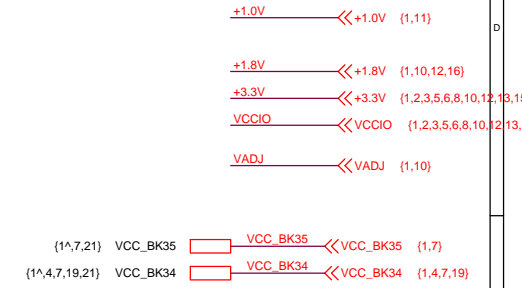
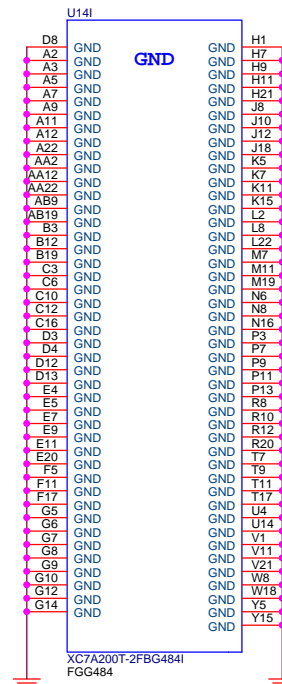
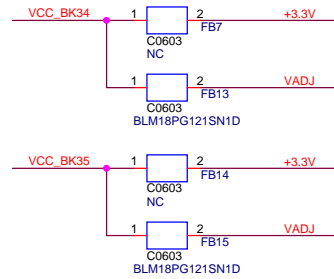
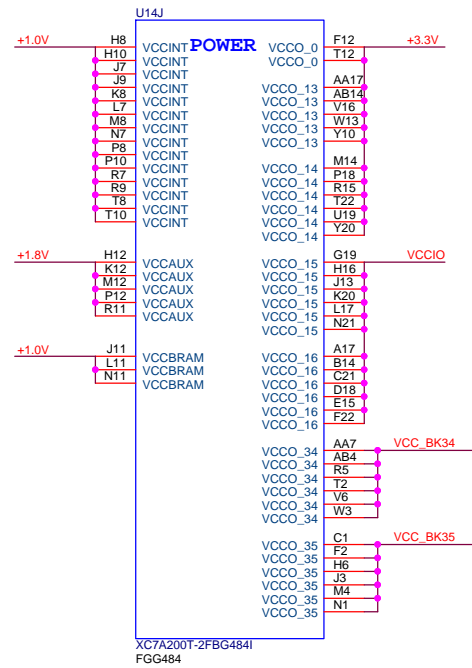


{1^,4,19} BTN [4:0]  
{1^,4,19} SW [7:0]

Title			
<Title>			
Size	Document Number		Rev
A4	<Doc>		<RevC>
Date:	Tuesday, August 25, 2020	Sheet	19 of 21



Title		
<Title>		
Size	Document Number	Rev
A	<Doc>	<RevCode>
Date:	Tuesday, August 25, 2020	Sheet 20 of 21



Title	<Title>
Size	A3
Document Number	<Doc>
Date:	Tuesday, August 25, 2020
Sheet	21 of 21
Rev	<Rev Code>